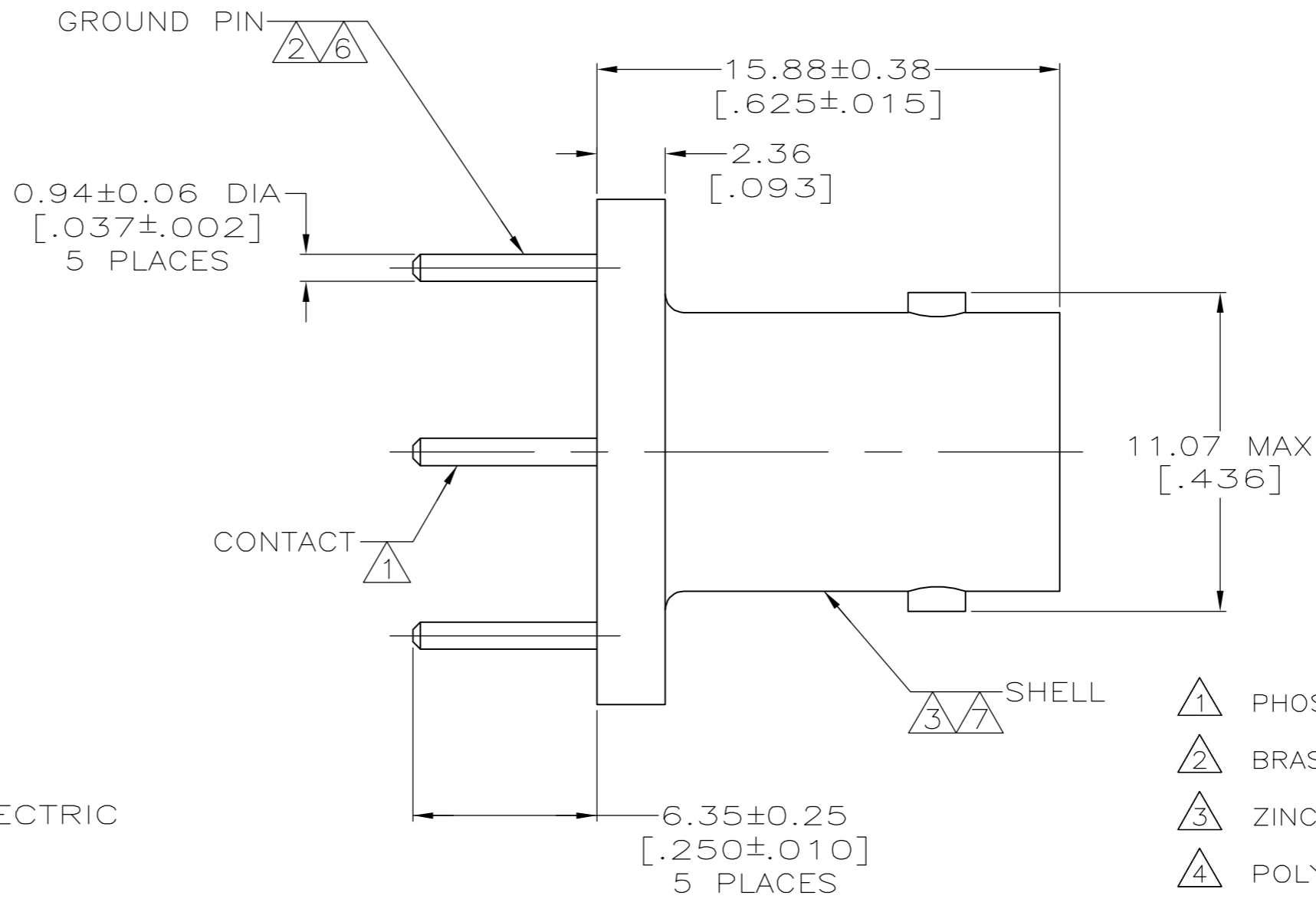
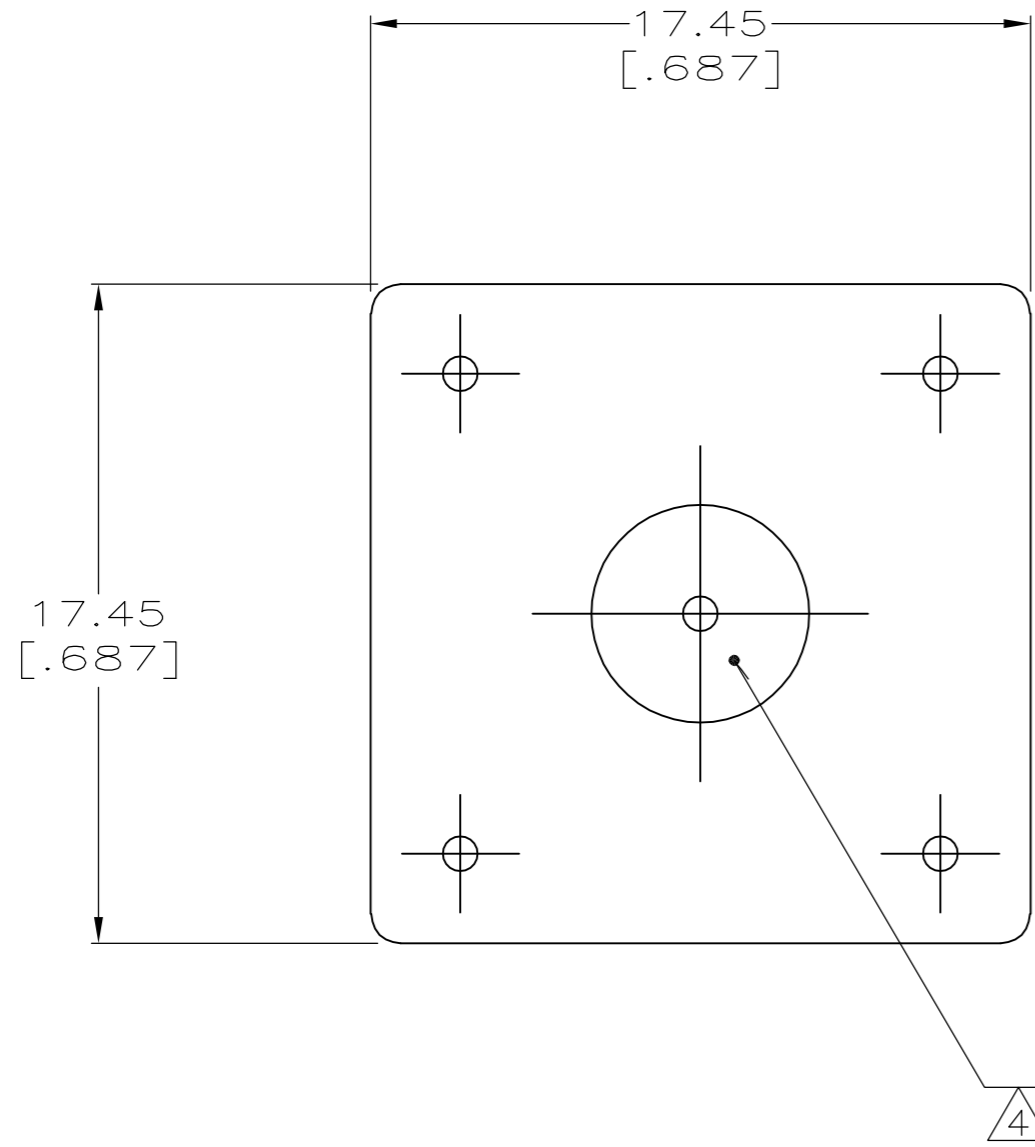
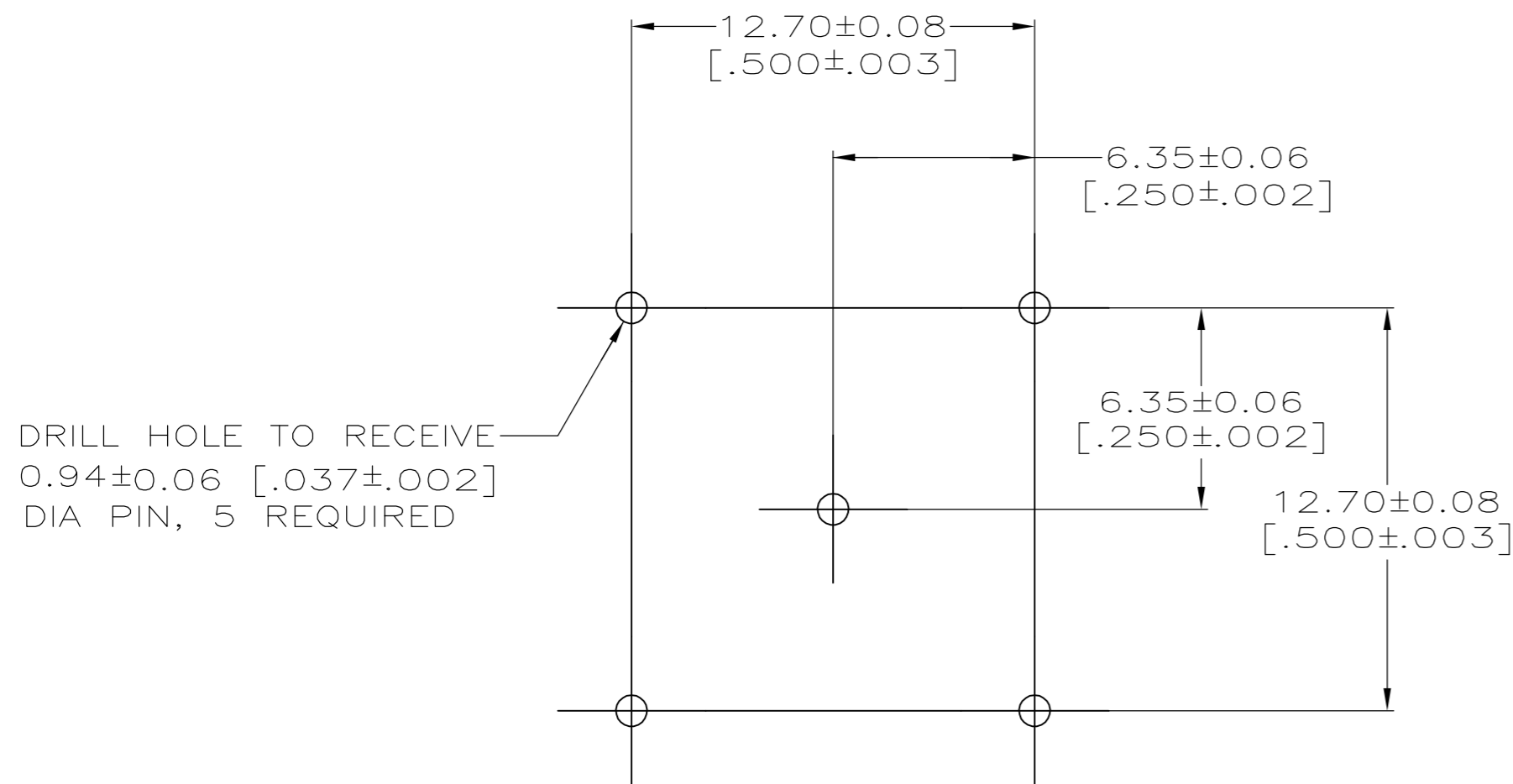


THIS DRAWING IS UNPUBLISHED. RELEASED FOR PUBLICATION
 © COPYRIGHT BY TYCO ELECTRONICS CORPORATION. ALL RIGHTS RESERVED.

LOC		DIST		REVISIONS			
P	LTR	DESCRIPTION	DATE	DWN	APVD		
	L1	REV PER ECO 06-029805	2/6/2007	DW	JL		



- ① PHOSPHOR BRONZE PER QQ-B-750.
- ② BRASS PER QQ-B-626.
- ③ ZINC PER QQ-Z-363.
- ④ POLYESTER, PBT, PER MIL-M-24519.
- ⑤ SILVER PLATE PER QQ-S-365
2.54 μm [0.000100] MINIMUM THICK.
- ⑥ TIN PLATE PER ASTM-B-545
2.54 μm [0.000100] MINIMUM THICK.
- ⑦ NICKEL PLATE PER QQ-N-290
3.81 μm [0.000150] MINIMUM THICK.
- ⑧ GOLD PLATE PER MIL-G-45204,
0.76 μm [0.000030] MINIMUM THICK.
- 9. SEE INSTRUCTION SHEET 408-9889.



SUGGESTED PCB CONFIGURATION

OBSOLETE	CONTACT FINISH	PART NUMBER
	⑥	9-227699-0
	⑥	227699-3
	⑧	227699-2
	⑤	227699-1

THIS DRAWING IS A CONTROLLED DOCUMENT.		DWN J. LIPPERT 2-14-92	Tyco Electronics Corporation Harrisburg, PA 17105-3608	
DIMENSIONS: INCHES		CHK A. GABANY 2-14-92		
TOLERANCES UNLESS OTHERWISE SPECIFIED:		APVD J. LIPPERT 02-14-92	NAME JACK, 50 OHM, VERTICAL, PCB, BNC	
0 PLC ± - 1 PLC ± - 2 PLC ± 0.20 [.008] 3 PLC ± - 4 PLC ± - ANGLES ± -		PRODUCT SPEC 108-12078	SIZE A2	CAGE CODE 00779
MATERIAL		FINISH	DRAWING NO C=227699	RESTRICTED TO -
			SCALE 5:1	SHEET 1 of 1
CUSTOMER DRAWING		WEIGHT -	REV L1	